



hiton

heat your home, not the planet!



HP115 / HP 125

Waste / universal oil heaters

- ❖ clean heat
- ❖ affordable fuel
- ❖ high performance
- ❖ safety
- ❖ durability
- ❖ failure-free

❖ **use:**

HP series waste / universal oil heaters are suitable for heating big size buildings without the central heating system, such as: automotive workshops and garages, industrial buildings, warehouses, inventory buildings, basements and garages.

❖ **fuel:**

The heaters run on most oils of mineral and plant origin, such as: motor oils, heating oils, gear oils, hydraulic oils, and used frying oils.

❖ **recuperator:**

With a view to increasing performance of Hiton heaters we have developed innovative air-water recuperators. Thanks to our heat recuperator, **performance of the heater increases to 91%** and with water recuperator installed we have the possibility of getting hot water back. Recuperator is connected to the heater rear part, in the flue.



HP115 / HP125

❖ **The Hiton features:**

- vaporizing pan,
- vaporizing pan overheating and blower fan overflow security systems,
- dual power setting,
- manual ignition,
- built-in fuel tank,
- combustion chamber made of stainless steel,
- individual elements are made of zinc sheet steel or are covered with powder paint .



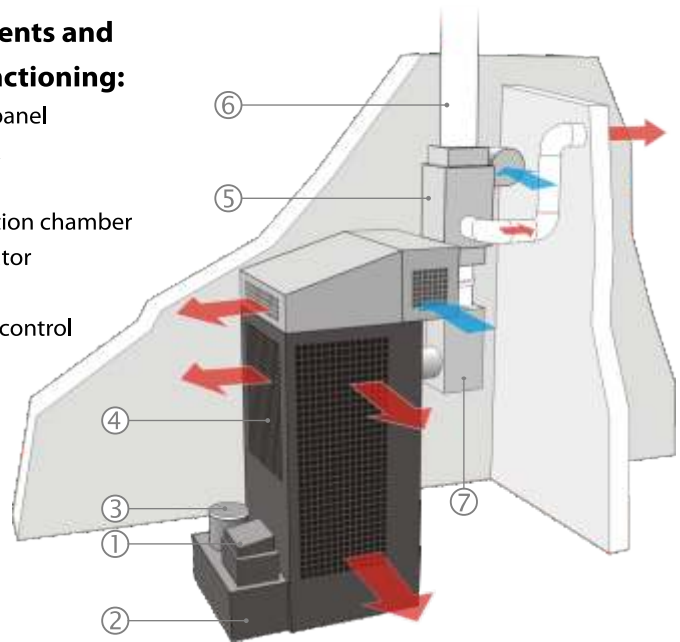
❖ **technical specifications:**

type	HP115	HP125
minimum heating performance	15 kW	22 kW
maximum heating performance	22 kW *	30 kW *
minimum oil consumption	1,25 kg/h	1,85 kg/h
maximum oil consumption	1,85 kg/h	2,55 kg/h
heated air flow	600 m ³ /h	1000 m ³ /h
power supply	230 V / 50 Hz	230 V / 50 Hz
power intake	0,6 A	0,6 A
performance without recuperator	63%	63%
performance with recuperator	91%	91%
flue diameter	130 mm	150 mm
width x depth x height	54 x 85 x 125 cm	54 x 85 x 137 cm
weight	80 kg	90 kg

* Heating performance of 22 kW and 30kW for the following fuel parameters: heating (caloric) value = 40 MJ/kg, density 0,94 g/cm³
 Heating performance may increase for higher parameters.

❖ **components and their functioning:**

1. control panel
2. fuel tank
3. fuel inlet
4. combustion chamber
5. recuperator
6. flue
7. draught control



Heaters conform to construction and safety requirements laid down in the following standards:
 PN-EN 1 and PN-EN 1 : 2001/A1

